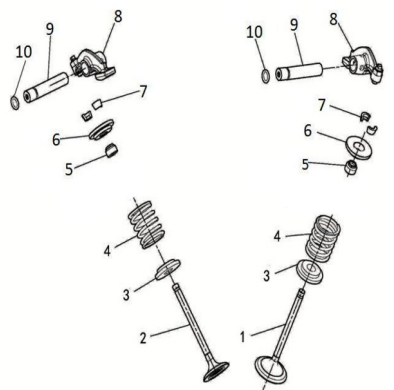


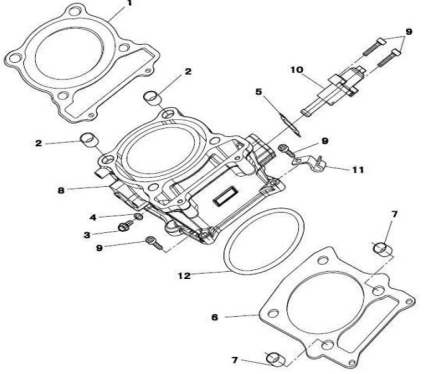
2

四、气门VALVE



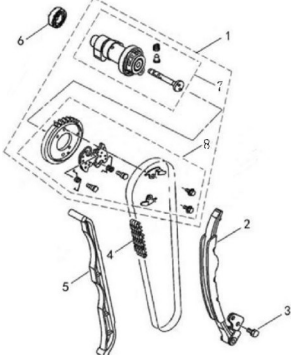
序号No	存货编码 ERP Part No.	零部件名称及规格	Part Name And Standard	数量 QTY
1	P022000147110000	进气门	Intake Valve	1
2	P022000147210000	排气门	Exhaust Valve	1
3	P022000147020000	气门弹簧垫圈	Valve Spring Seat	2
4	P022000147040000	气门外弹簧	Spring, Valve, Outer	2
5	P022000147050000	挡油罩组件	Valve Stem Seal	2
6	P022000147070000	气门弹簧座	Retainer, Valve Spring	2
7	P022000147130000	气门锁夹	Valve Lock Keeper	4
8	P094000144140000	气门摇臂组合	Valve Rocker	2
9	P022000144030000	气门摇臂轴	Valve Rockershaft	2
10	PJ000009120107000	O形密封圈9×2	O-Ring 9×2	2

五、气缸体CYLINDER



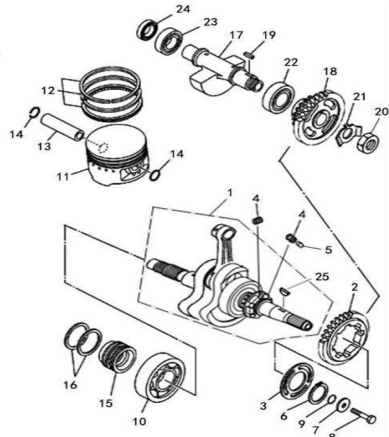
序号No	存货编码 Part No.	零部件名称及规格	Part Name And Standard	数量 QTY
1	P015000120740000	气缸头密封垫	Gasket, Cylinder Head	1
2	PJ000009080204000	定位销12×16	Pin, Dowel 12×16	2
3	BG85787-M6×12	六角法兰面螺栓M6×12	Hexagon Flange Bolts M6×12	1
4	PJ000009060101000	铝垫圈6×12×1.5	Aluminum Washer 6×12×1.5	1
5	P022000145080000	张紧器密封垫	Gasket, Tensioner	1
6	P015000120909000	气缸体密封垫	Gasket, Cylinder Base	1
7	PJ000009080206000	定位销14×16	Pin, Dowel 14×16	2
8	P015000121140000	气缸组合	Cylinder Body Assy	1
9	BG870-M6×25	内六角圆柱头螺钉M6×25	Hexagon Socket Head Cap Screws M6×25	4
10	P022000145300000	张紧器组合	Tensioner Assy.	1
11	P004000140070000	管夹II	Pipe Clamp II	1
12	PJ0000091201074000	O形密封圈10×3	O-Ring 10×3	2

六、凸轮轴CAMSHAFT CHAIN



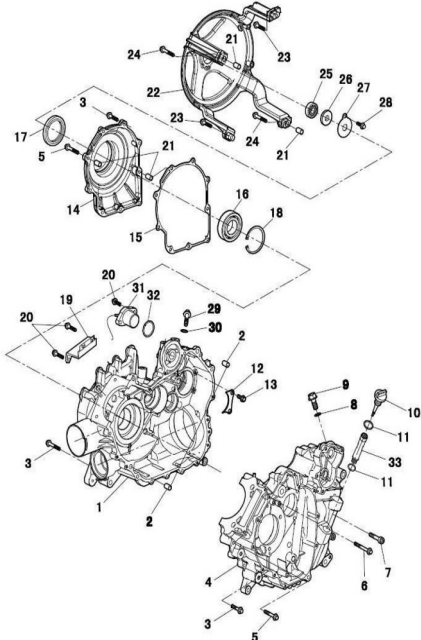
序号No	存货编码ERP Part No.	零部件名称及规格	Part Name And Standard	数量 QTY
1	P015000141000001	凸轮轴部件(含轴承)	Camshaft Assembly	1
2	P004000145100000	链条张紧板	Timing Chain Tensioner Guide	1
3	BG89074.14-M6×16	组合螺栓M6×16	agon Head Bolt And Plain Washer Assemblies M6	2
4	P004000143020000	正时链条M7-6.35-124	Timing Chain M7-6.35-124	1
5	P015000145200000	链条导向板	Timing Chain Guide	1
6	BG8276-6004Z	轴承6004Z	Bearing 6004Z	1
7	P015000141140000	凸轮轴组合	Camshaft	1
8	P004000143140000	正时从动链轮组合	Camshaft Sprocket Assy	1

七、活瓣连杆CRANKSHAFT PISTON



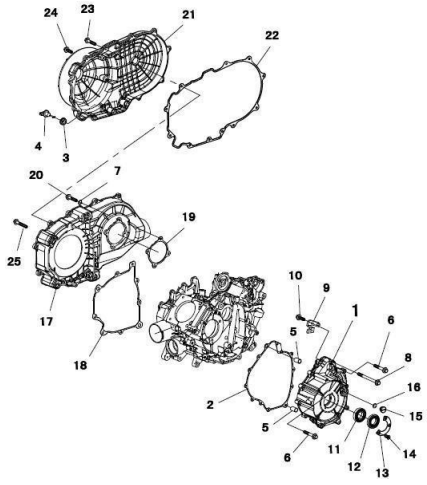
序号No	存货编码ERP Part No.	零部件名称及规格	Part Name And Standard	数量 Q'TY
1	P015000132000001	曲轴连杆部件	Crankshaft Assy	1
	P015000132000100	曲轴连杆部件	Crankshaft Assy	1
2	P004000133230000	平衡主动齿轮	Driving Gear,Balance Shaft	1
3	P004000133230000	平衡主动齿左定位板	Locating Plate,Balance Gear,Outer	1
4	P004000133230000	平衡主动齿右缓冲簧	Buffer Spring,Balance Gear	8
5	P004000133230000	平衡主动齿限位销	Spacer Pin,Balance Gear	4
6	B6884-1-35	轴用弹性挡圈Φ35	Circlip For Shaft Φ35	1
7	PJ00000906000700	垫圈10×32×5	Washer 10×32×5	1
8	B68787-M10×1.25×40	六角头螺栓M10×1.25×40	Hexagon Head Bolts M10×1.25×40	4
8	B68787-M10×1.25×40-12.9	六角头螺栓M10×1.25×40	Hexagon Head Bolts M10×1.25×40	1
9	PJ00000912013500	O形密封圈16×3	O-Ring 16×3	1
10	B6276-6307	轴承6307	Bearing 6307	1
11	P015000131010000	活塞	Piston	1
12	P010000131140000	活塞环组件	Piston Ring Set	1
13	P010000131020000	活塞销	Piston Pin	1
14	P010000131070000	活塞销挡圈	Circlip,Piston Pin	2
15	P004000110230000	密封环套	Bushing,Sealing Ring	1
16	P003000110240000	密封环	Sealing Ring	2
17	P015000131140000	平衡轴组合	Balance Shaft Assy	1
18	P004000133240000	平衡从动齿轮组合	Balance Driven Gear Assy	1
19	B63196-85×12.4	键85×12.4	Key 85×12.4	1
20	PJ00000904021000	螺母M8×1	Hexagon Nut M8×1	1
21	PJ00000906030400	止退垫圈B	Tab Washer A	1
22	B6276-6305	轴承6305	Bearing 6305	1
23	B6276-6304	轴承6304	Bearing 6304	1
24	PJ00000911012100	油封20×30×7	Oil Seal 20×30×7	1
25	P004000130010000	平圆键	Key	1

八、曲轴箱CRANKCASE



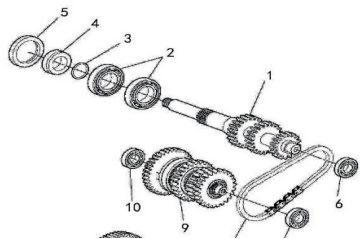
序号No	存货编码ERP Part No.	零部件名称及规格	Part Name And Standard	数量 Q'TY
1	P015000111040001	右曲轴箱组合	Right Crankcase Assy	1
1	P015000111040003	右曲轴箱组合	Right Crankcase Assy	1
2	PJ00000908020500	定位销9×12×16	Pin,Dowel 9×12×16	2
3	B68787-M6×30	六角法兰面螺栓M6×30	Hexagon Flange Bolts M6×30	19
4	P015000112040000	左曲轴箱组合	Left Crankcase Assy	1
4	P015000112040001	左曲轴箱组合	Left Crankcase Assy	1
5	B68787-M6×40	六角法兰面螺栓M6×40	Hexagon Flange Bolts M6×40	4
6	B68787-M6×85	六角法兰面螺栓M6×85	Hexagon Flange Bolts M6×85	1
7	B6870-M8×40	内六角圆柱头螺钉M8×40	Hexagon Socket Head Cap Screws M8×40	3
8	PJ00000906109000	铝垫圈14×22×1.5	Aluminum Washer 14×22×1.5	1
9	PJ00000904050400	螺塞 M4×1.5×16	Hexagon Flange Screw Plug M4×1.5×16	1
10	P007000156500100	机油标尺组合	Oil Dipstck	1
10	P007000156500000	机油标尺组合	Oil Dipstck	1
11	PJ00000912012400	O形密封圈18×3.5	O-Ring 18×3.5	1
12	P004000110130000	主轴承压板	Press Plate,Main Shaft Bearing	1
13	B68787-M6×16	六角法兰面螺栓M6×16	Hexagon Flange Bolts M6×16	2
14	P004000113210000	外罩轴承座	Wet Clutch Case Cover	1
14	P004000113210100	外罩轴承座	Wet Clutch Case Cover	1
15	P004000113220000	轴承座密封垫	Gasket,Wet Clutch Cover	1
15	P004000113220100	轴承座密封垫	Gasket,Wet Clutch Cover	1
16	B6876-16010	轴承16010	Bearing 16010	1
17	PJ00000911012200	油封35×65×9	Oil Seal 35×65×9	1
18	B6883-80	孔用弹性挡圈Φ80	Circlip For Hole Φ80	1
19	P004000171660100	CVT排气管支架	Bracket,Cvt Vent-Pipe	1
20	B689074-14-M6×16	组合螺栓M6×16	gon Head Bolt And Plain Washer Assemblies M6	2
21	PJ00000908020300	定位销10×16	Pin,Dowel 10×16	4
22	P004000113310000	离合器护罩支架	Shield Bracket,Clutch	1
23	B68789-M6×32	六角法兰面螺栓M6×32	Hexagon Flange Bolts M6×32	2
24	B68789-M6×40	六角法兰面螺栓M6×40	Hexagon Flange Bolts M6×40	2
25	B6876-62012Z	轴承62012Z	Bearing 62012Z	1
26	PJ00000911011200	油封12×32×6	Oil Seal 12×32×6	1
27	P004000110320000	支架油封压板	Press Plate,Bracket Oil Seal	1
28	B68787-M6×16	六角法兰面螺栓M6×16	Hexagon Flange Bolts M6×16	1
29	B68787-M10×1.25×16	六角法兰面螺栓M10×1.25×16	Hexagon Flange Bolts M10×1.25×16	1
30	PJ00000906104000	铝垫圈10×16×1.2	Aluminum Washer 10×16×1.2	1
31	P012000365500000	档基传感器	Sensor,Gear Shift Indicator	1
32	PJ00000912013800	O形密封圈29.6×2.4	O-Ring 29.6×2.4	1
33	F996001063000000	机油尺加长管	Guiding Tube,Oil Level	1
33	F996003063000000	机油尺加长管	Guiding Tube,Oil Level	1

九、曲轴箱盖CRANKCASE COVER

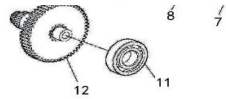


序号No	存货编码ERP Part No.	零部件名称及规格	Part Name And Standard	数量 Q'TY
1	P00400014010000	左前盖	Stator Case Cover	1
2	P00400014020000	左前盖密封胶	Gasket, Stator Case Cover	1
3	P003000115030000	胶套	Damper	1
4	P003000115040000	离合器盖球头	Drain Plug, Clutch Cover	1
5	PJ00000608020300	定位销10×16	Pin, Dowel 10×16	2
6	BG85787-M6×30	六角法兰面螺栓M6×30	Hexagon Flange Bolts M6×30	9
7	B2893-6	弹簧垫圈Ø6	Spring Washer Ø6	7
8	BG85787-M6×40	六角法兰面螺栓M6×40	Hexagon Flange Bolts M6×40	4
9	P00400010040000	定子线护板	Stator Wire Guard Plate	1
10	BG85787-M6×12	六角法兰面螺栓M6×12	Hexagon Flange Bolts M6×12	2
11	BG8276-60/28	轴承60/28	Bearing 60/28	1
12	PJ00000911011300	油封28×52×8.5	Oil Seal 28×52×8.5	1
13	P00200093170000	左前盖油封压板	Press Plate, Oil Seal	1
14	BG8818-1-M5×12	十字槽沉头螺钉M5×12	Cross Recessed Countersunk Head Screw M5×12	2
15	P003000110020000	小视孔盖	Small Peep Hole Cover	1
16	PJ00000912011400	O形密封圈13.4×2.35	O-Ring 13.4×2.35	1
17	P004000115140000	离合器盖座组合	Cover, Clutch, Inner	1
18	P004000115100000	离合器盖座密封圈 I	Seal, Clutch Inner Cover I	1
19	P004000115120000	离合器盖座密封圈 II	Seal, Clutch Inner Cover II	1
20	BG85789-M6×32	六角法兰面螺栓M6×32	Hexagon Flange Bolts M6×32	7
21	P004000115240000	离合器盖组合	Cover, Clutch, Outer	1
22	P004000115230000	离合器盖密封圈	Seal, Clutch Cover	1
23	BG85787-M6×25	六角法兰面螺栓M6×25	Hexagon Flange Bolts M6×25	12
24	BG85789-M6×16	六角法兰面螺栓M6×16	Hexagon Flange Bolts M6×16	2
25	BG85789-M6×50	六角法兰面螺栓M6×50	Hexagon Flange Bolts M6×50	2

九、传动系TRANSMISSION

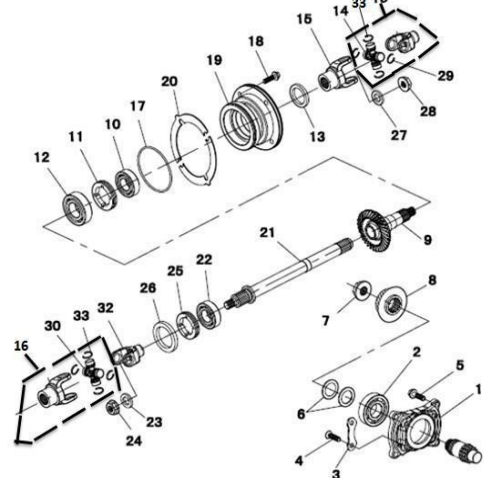


序号No	存货编码ERP Part No.	零部件名称及规格	Part Name And Standard	数量 Q'TY
1	P00400022010000	传动主轴	Transmission Main Shaft	1
	P00400022010200	传动主轴	Transmission Main Shaft	1
2	BG8276-6006	轴承6006	Bearing 6006	2
3	P003000211090000	次级CVT衬套	Secondary Cvt Bushing	1
4	PJ00000912013500	O形密封圈26.1×2.4	O-Ring 26.1×2.4	1
5	FJ00000911011400	油封42×55×8	Oil Seal 42×55×8	1
6	BG8276-6203	轴承6203	Bearing 6203	1
7	BG8276-6202	轴承6202	Bearing 6202	1
8	P00400022040000	R形齿形链套	Tooth Shaped Chains For R Gear	1
9	P00400022600100	副轴组合	Transmission Countershaft Assy	1
	P00400022600200	副轴组合	Transmission Countershaft Assy	1
10	BG8276-6203DL48	轴承6203DL48	Bearing 6203DL48	1
11	BG8276-6303	轴承6303	Bearing 6303	1



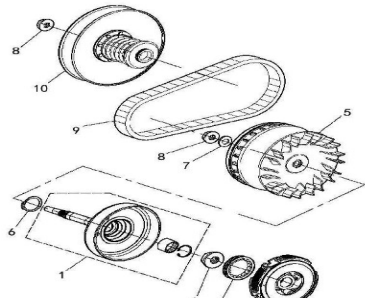
12	P0040022280000	X传动轴组合	X Driveshaft Assy	1
	P0040022280100	X传动轴组合	X Driveshaft Assy	

十、中间传动系MIDDLE DRIVE GEAR



序号No	存货编码ERP Part No.	零部件名称及规格	Part Name And Standard	数量 QTY
1	P0040011210000	X轴承座	X Shaft Bearing Block	1
	P0040011210100	X轴承座	X Shaft Bearing Block	1
2	BG276-6305	轴承6305	Bearing 6305	1
3	P00300093160000	X轴承板压板	Press Plate,X Shaft Bearing Block	2
4	BGB19.2-M8×25	十字槽沉头螺钉M8×25	Cross Recessed Countersunk Head Screw M8×25	4
5	BGB5787-M8×30	六角法兰面螺栓M8×30	Hexagon Flange Bolts M8×30	4
6	PJ0000096002500	垫圈26×38×0.4	Washer 26×38×0.4	2
7	PJ000009604021400	螺母M22×1	Hexagon Flange Nut M22×1	1
8	P00400224010000	主动锥齿轮	Driving Bevel Gear	2
	P00400224010100	主动锥齿轮	Driving Bevel Gear	1
9	P00400224020000	从动锥齿轮	Driven Bevel Gear	1
10	BG576-63/22	轴承63/22	Bearing 63/22	1
11	P0040011120000	锁紧环M60×1.5	External Thread Nut M60×1.5	1
12	BG276-6207	轴承6207	Bearing 6207	1
13	PJ0000091101800	油封30×46×8	Oil Seal 30×46×8	1
	PJ0000235000100	十字轴组合 (Ø22)	U-Joint Assy (Ø22)	1
14	P010E002241B0022	十字轴组合 (Ø22)	U-Joint Assy (Ø22)	1
15	P00400224110022	节叉A (Ø22)	Yoke A (Ø22)	1
	P016R00224110022	节叉A (Ø22)	Yoke A (Ø22)	1
	PJ0000254000200	节叉C (Ø22)	Yoke C (Ø22)	1
16	P016F00224120022	节叉B (Ø22)	Yoke B (Ø22)	2
17	PJ00000912017300	O形密封圈88×2.8	O-Ring 88×2.8	1
18	BGB907.4.14-M8×30	组合螺栓M8×30	gon Head Bolt And Plain Washer Assemblies M8	4
19	P0040011110000	Y轴承座	Y Shaft Bearing Block	1
20	P00400111140100	锥齿调整垫0.1	Spacer 0.1,Bevel Gear	2
	P00400111140300	锥齿调整垫0.3	Spacer 0.3,Bevel Gear	
	P00400111140500	锥齿调整垫0.5	Spacer 0.5,Bevel Gear	
	P00400111140600	锥齿调整垫0.6	Spacer 0.6,Bevel Gear	
21	P00400224040000	Y传动轴	Y Driveshaft	1
	P00400224040100	Y传动轴	Y Driveshaft	1
22	BG276-6205	轴承6205	Bearing 6205	1
23	PJ0000096001400	垫圈14.5×32×5	Washer 14.5×32×5	1
24	BGB187.2-M14	自锁螺母M14×1.5	Self-Locking Nut M14×1.5	1
25	P00300011130000	锁紧环M5	External Thread Nut M5	1
26	PJ00000911012300	油封44×60×7	Oil Seal 44×60×7	1
27	PJ0000096003200	垫圈16.5×28×4	Washer 16.5×28×4	1
28	BGB187.2-M16	自锁螺母M16×1.5	Self-Locking Nut M16×1.5	1
29	BGB960-22	尖紧挡圈 (Ø22)	Snap Ring Ø22	4
30	P004002241B0020	十字轴组合 (Ø20)	U-Joint Assy (Ø22)	1
	P010E002241B0022	十字轴组合 (Ø22)	U-Joint Assy (Ø22)	1
31	P00400224110020	节叉A (Ø20)	Yoke A (Ø20)	2
	P016F00224110022	节叉B (Ø20)	Yoke B (Ø20)	2
	P00400224110020	节叉A (Ø20)	Yoke A (Ø20)	2
32	P013F00224110022	节叉A (Ø22)	Yoke A (Ø22)	1
33	BGB960-20	尖紧挡圈 (Ø20)	Snap Ring Ø20	4
34	P03300224330000	轴套	Shaft sleeve	
35	PJ00000912013300	O形密封圈25×2.4	O-Ring 25×2.4	

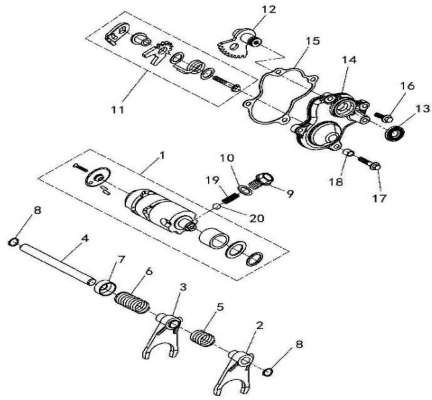
十一、离合器CLUTCH



序号No	存货编码ERP Part No.	零部件名称及规格	Part Name And Standard	数量 QTY
1	P00400211400000	蹄块从动盘组合	Hub Assy,Clutch	1
	P0040021140150	蹄块从动盘组合	Hub Assy,Clutch	1
2	P00400211100000	蹄块组合	Assy,Wet Clutch	1
	P00400211140150	蹄块组合	Assy,Wet Clutch	1
3	P00400211300000	超越离合器组合	Clutch One Way Bearing Assy	1
4	PJ000009604021400	螺母M22×1	Hexagon Flange Nut M22×1	1
5	P00400211600100	初级离合盘部件	Primary Disc Assy	1
6	BGB894.1-52	轴用弹性挡圈Ø52	Circlip For Shaft Ø52	1
7	PJ0000096001700	垫圈19.2×35×3.2	Washer 19.2×35×3.2	1
8	PJ000009604020700	螺母M6×1	Hexagon Flange Nut M6×1	2
9	P00400213000000	CVT皮带部件	Cvt Belt	1
10	P00400212000000	次级离合器部件	Secondary Sheave Assy	1

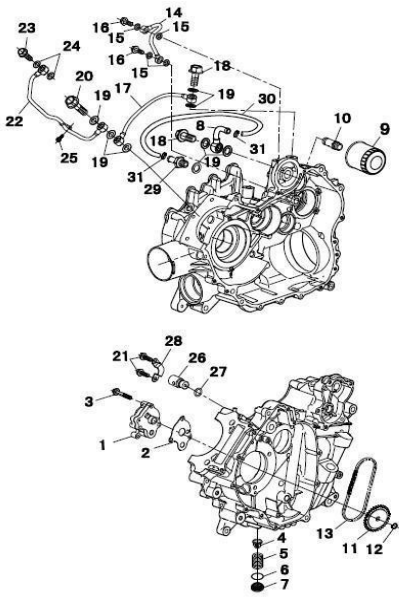


十二、换挡凸轮, 拨叉SHIFT CAM FORK



序号No	存货编码ERP Part No.	零部件名称及规格	Part Name And Standard	数量 Q'TY
1	P0040023200000	变速拨部件	Drum, Shift	1
2	P00400231010000	拨叉I	Shifting Fork I	1
3	P00400231020000	拨叉II	Shifting Fork II	1
4	P00400231310000	拨叉轴	Shift Bail	1
5	P00400231070000	R档弹簧	Spring, R Gear	1
6	P00400231050000	扭簧	Spring, Hl Gear	1
7	P00400231080000	拨叉轴簧座	Spring Seat, Shift Bail	1
8	BG8894-1-12	轴用弹性挡圈Ø12	Circlip For Shaft Ø12	1
9	P00300231300000	空心螺栓M14×1.5×21	Hollow Bolts M14×1.5×21	1
10	PJ00000906020700	铜垫圈14×21×1	Copper Washer 14×21×1	1
11	P03400232110000	变速拨板组合	Shift Mechanism Assy	1
12	P03400232110000	变速拨板组合	Shift Mechanism Assy	1
13	P03400232140001	变速拨板组合	Shift Mechanism Assy	1
14	P01200233240000	变速轴组合	Fan Gear Shift Assy	1
15	PJ00000911011000	油封15×25×5	Oil Seal 15×25×5	1
16	P004000114210000	换挡臂轴盖	Shiftshaft Cover	1
17	P004000114220000	换挡臂轴盖密封垫	Gasket, Shiftshaft Cover	1
18	BG8787-Ø6×20	六角法兰面螺栓M6×20	Hexagon Flange Bolts M6×20	3
19	BG8787-Ø6×30	六角法兰面螺栓M6×30	Hexagon Flange Bolts M6×30	1
20	PJ00000908020100	定位销8×12	Pin, Dowel 8×12	1
21	P00200233020000	弹簧24×1	Spring 24×1	1
22	BG8308-9,5	钢球Ø9,5	Steel Ball 9,5	1

十三、机油泵OIL PUMP

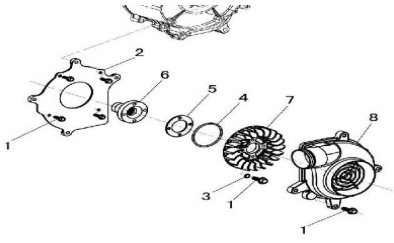


序号No	存货编码ERP Part No.	零部件名称及规格	Part Name And Standard	数量 Q'TY
1	P004000151100100	油泵组合	Oil Pump Assy	1
2	P004000151010100	机油泵密封垫	Gasket, Oil Pump	1
3	BG8787-Ø6×40	六角法兰面螺栓M6×40	Hexagon Flange Bolts M6×40	3
4	P002000152030000	机油过滤器	Oil Filter Strainer	1
5	P002000152040000	滤网弹簧	Filter Spring	1
6	PJ00000912014700	O形密封圈36×3.5	O-Ring 36×3.5	1
7	P002000110700000	放油螺塞	Blind Nut, Oil Drainage	1
8	P004000153540000	油管焊接组合D	Oil Tube Welding Assy D	1
9	P003000152000000	机油滤清器组合	Oil Filter	1
10	P003000152010000	滤清器接头	Filter Adapter	1
11	P004000151160000	油泵从动链轮	Oil Pump Driven Sprocket	1
12	BG8894-1-11	轴用弹性挡圈Ø11	Circlip For Shaft Ø11	1
13	P004000150030000	油泵传动轴套	Chain, Oil Pump	1
14	P004000153240000	油管焊接组合4	Oil Tube Welding Assy A	1
15	PJ00000908010300	铝垫圈8×15×2	Aluminum Washer 8×15×2	4
16	P004000153010000	油孔螺栓M8×25	Bolts For Oil Tube M8×25	2
17	P004000153340000	油管焊接组合B	Oil Tube Welding Assy B	1
18	P004000153030000	油孔螺栓M14×1.5×28	Bolts For Oil Tube M14×1.5×28	2
19	PJ00000906010700	铝垫圈14×20×1.5	Aluminum Washer 14×20×1.5	8
20	P004000153040000	油管螺栓M14×1.5×50	Bolts For Oil Tube M14×1.5×50	1
21	BG8787-Ø6×14	六角法兰面螺栓M6×14	Hexagon Flange Bolts M6×14	2
22	P004000153440000	油管焊接组合C	Oil Tube Welding Assy C	1
23	P004000153020000	油孔螺栓M10×1.25×30	Bolts For Oil Tube M10×1.25×30	1
24	PJ00000908010400	铝垫圈10×16×1.2	Aluminum Washer 10×16×1.2	2
25	BG8787-Ø6×12	六角法兰面螺栓M6×12	Hexagon Flange Bolts M6×12	1
26	P004000153640000	机油调压阀组件	Pressure Regulating Valve Assy, Engine Oil	1
27	PJ00000912010800	O形密封圈10×2.45	O-Ring 10×2.45	1
28	P004000153650000	调压阀压板	Press Plate, Pressure Regulating Valve	1
29	P003000111050000	油管接头	Oil Pipe Joint	1
30	P003000153071830	橡胶油管1830	Rubber Oil Pipe 1830	1
31	PJ00000907300000	螺钉锁紧抱箍A Ø12~Ø20	Hose Clamp Assy Ø12~Ø20	2

十四、风扇 FAN

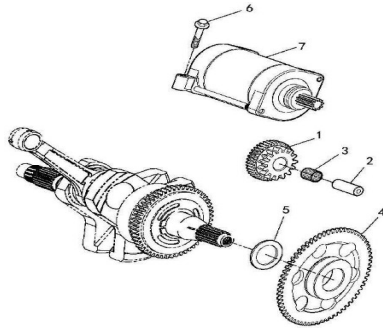


序号No	存货编码ERP Part No.	零部件名称及规格	Part Name And Standard	数量 Q'TY
1	BG8787-Ø6×20	六角法兰面螺栓M6×20	Hexagon Flange Bolts M6×20	10
2	P004000191030000	导流罩底板	Baseplate	1
3	PJ00000906020900	垫圈6×11×1.5	Washer 6×11×1.5	2
4	PJ00000912016600	O形密封圈64.4×3.1	O-Ring 64.4×3.1	1



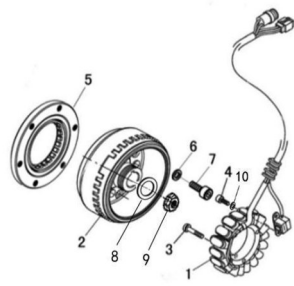
5	P004000191040000	叶轮定位板	Fan Strongback	1
6	P004000241100000	启动从动轮组件	Starting Driven Pulley	1
	P004000241100200	启动从动轮组件	Starting Driven Pulley	1
7	P004000191020000	叶轮	Impeller	1
8	P0040001910100000	风扇导流罩	Fan Cowl	2
	P0040001910100001	风扇导流罩	Fan Cowl	1

十五、电启动系 STARTER



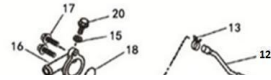
序号No	存货编码 Part No.	零部件名称及规格	Part Name And Standard	数量 Q'TY
1	P004000245030000	双联齿轮	Starter Idler Gear	1
	P033000245030000	双联齿轮	Starter Idler Gear	1
2	P004000245040000	双联齿轮轴	Idler Gear Shaft	1
3	P121618937000000	滚针轴承8X8X121618	Needle Bearing 8x8x121618	1
4	P004000244040000	盘形齿轮组合	Starter Disk Gear Assy	1
	P033000244040000	盘形齿轮组合	Starter Disk Gear Assy	1
	P033000244040000	盘形齿轮组合	Starter Disk Gear Assy	1
5	PJ00000969001100	垫圈25×39×1	Washer 25×39×1	1
	PJ00000969001101	垫圈27×39×1	Washer 27×39×1	1
6	B6S787-M6×30	六角法兰面螺栓M6×30	Hexagon Flange Bolts M6×30	2
7	P004000312000000	启动电机部件	Starter Motor Assy	1

十六、发电机GENERATOR

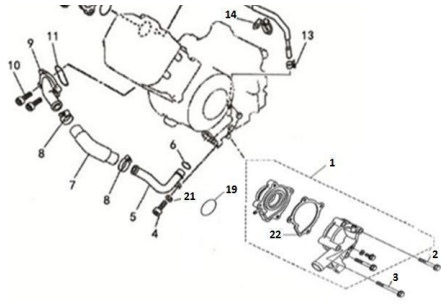


序号No	存货编码ERP Part No.	零部件名称及规格	Part Name And Standard	数量 Q'TY
1	P007600311200200	定子组合	Generator Stator Assy	1
	P007600311200000	定子组合	Generator Stator Assy	1
2	P004000311100100	转子组合	Generator Rotor Assy	1
	P004000311100300	转子组合	Generator Rotor Assy	1
3	B69074.14-M6×30	组合螺栓M6×30	Hexagon Head Bolt And Plain Washer Assemblies M6	3
4	B6S70-M6×12	内六角圆柱头螺钉M6×12	Hexagon Socket Head Cap Screws M6×12	2
5	P004000243100000	启动离合器组件	One Way Bearing Starter	1
6	B6R93-8	弹簧垫圈Ø8	Spring Washer Ø8	6
7	B6S70-M8×16	内六角圆柱头螺钉M8×16	Hexagon Socket Head Cap Screws M8×16	6
8	P004000244110000	垫圈22×35×2	Washer 22×35×2	1
9	PJ00000904021401	螺母M22×1	Nut M22×1	1
10	B6R93-5	弹簧垫圈Ø5	Spring Washer Ø5	2

十七、水泵WATER PUMP



序号No	存货编码 Part No.	零部件名称及规格	Part Name And Standard	数量 Q'TY
1	P004000197000100	水泵部件	Water Pump Assy	1
2	B6S787-M6×45	六角法兰面螺栓M6×45	Hexagon Flange Bolts M6×45	1
3	B6S787-M6×65	六角法兰面螺栓M6×65	Hexagon Flange Bolts M6×65	1
4	B6S787-M6×16	六角法兰面螺栓M6×16	Hexagon Flange Bolts M6×16	1
5	P004000196070000	水管II (发动机前下)	Water Pipe II	1
	P004000196070100	水管II (发动机前下)	Water Pipe II	1
6	PJ000009120130000	O形密封圈20.7×2.6	O-Ring 20.7×2.6	1



7	P004000190080000	缸体进水管	Hose,Cylinder, Water In	1
	P004000190080010	缸体进水管	Hose,Cylinder, Water In	1
8	PJ00000907300300	螺钉锁紧抱箍D Ø20~Ø32	Bose Clamp Assy Ø20~Ø32	2
9	P004000190050000	缸体进水管接头	Hose Joint,Cylinder,Water Out	1
10	BG85787-M6×20	六角法兰面螺栓M6×20	Hexagon Flange Bolts M6×20	2
11	PJ00000912014300	O形密封圈33.4×2.4	O-Ring 33.4×2.4	1
12	P004000190090000	水管 I (发动机上中)	Water Pipe I	1
13	PJ00000907100300	弹性卡箍(Ø10)	Clip (Ø10)	2
14	P00400010070000	管夹II	Pipe Clamp II	1
15	PJ00000906101010	铝垫圈6×12×1.5	Aluminum Washer 6×12×1.5	1
16	P004000190090000	节温器盖	Cover,Thermostat	1
17	BG85787-M6×20	六角法兰面螺栓M6×20	Hexagon Flange Bolts M6×20	2
18	P004000194110000	节温器盖O形密封圈	Seal,Thermostat Cover	1
19	PJ00000912014500	O形密封圈34.2×2.5	O-Ring 34.2×2.5	1
20	BG85787-M6×12	六角法兰面螺栓M6×12	Hexagon Flange Bolts M6×12	1
21	B895-6	弹簧垫圈Ø6	Spring Washer Ø6	1
22	P004000197230000	水泵密封垫		1

附页1: 650UTV气缸头总成明细表 (电喷状态) Attachment 1:650UTV CylinderHead Assy Parts List (EFI)

序号No	存货编码ERP Part No.	零部件名称及规格	Part Name And Standard	数量 QTY
1	P02000333000000	火花塞(NGK D8SEA)	Spark Plug NGK D8SEA	1
2	BG8901-M8×45-B	双头螺栓M8×45 (不锈钢)	Stud M8×45 (Stn)	2
3	P015000122006000	气缸头组合	Cylinder Head Assy	1
4	P002000147110000	进气门	Intake Valve	1
5	P002000147210000	排气门	Exhaust Valve	1
6	P002000147020000	气门弹簧垫圈	Valve Spring Seat	2
7	P002000147030000	气门内弹簧	Spring,Valve Inner	2
8	P002000147040000	气门外弹簧	Spring,Valve,Outer	2
9	P002000147050000	挡油罩组件	Valve Stem Seal	2
10	P002000147070000	气门弹簧座	Retainer,Valve Spring	2
11	P002000147130000	气门锁夹	Valve Lock Keeper	4
12	P004000144160000	气门摇臂组合	Valve Rocker	2
13	P002000144030000	气门摇臂轴	Valve Rockershaft	2
14	PJ00000912010700	O形密封圈9×2	O-Ring 9×2	2
15	BG870-M6×20	内六角圆头螺栓M6×20	Hexagon Socket Head Cap Screws M6×20	4
16	BG85787-M6×12	六角法兰面螺栓M6×12	Hexagon Flange Bolts M6×12	1
17	PJ00000912016100	O形密封圈58×2.4	O-Ring 58×2.4	2
18	P002000123010000	进气门盖	Cover,Intake Valve	2
19	P004000123210000	气缸头左盖	Cover,Cylinder Head,Left	1
20	PJ00000912017700	O形密封圈107×2.4	O-Ring 107×2.4	1
21	BG870-M6×25	内六角圆头螺栓M6×25	Hexagon Socket Head Cap Screws M6×25	2
22	P01500011000000	凸轮轴部件	Camshaft Assembly	1
23	BG276-6004Z	轴承6004Z	Bearing 6004Z	1
24	P004000122030000	螺栓限位板	Bolts Limiting Plate	1
25	P004000122020000	凸轮轴承压板	Press Plate,Cam Shaft	1
26	BG85787-M6×16	六角法兰面螺栓M6×16	Hexagon Flange Bolts M6×16	2
27	PJ00000906101010	铝垫圈6×12×1.5	Aluminum Washer 6×12×1.5	2
28	P010000391300000	水温传感器	Water Temperature Sensor	2
29	P004000190090000	节温器盖	Cover,Thermostat	1
30	BG85787-M6×20	六角法兰面螺栓M6×20	Hexagon Flange Bolts M6×20	2
31	P004000194110000	节温器盖O形密封圈	Seal,Thermostat Cover	1